

Tramp Oil Oil-Belt Skimmer

Effectively Remove Tramp Oil
from Coolants and
Washing Solutions





Tramp Oil Oil-Belt Skimmer

XYBEX® Tramp Oil Removal Systems

Tramp oil has long been recognized as a major source of problems associated with water miscible cutting and grinding fluids. Tramp oil contributes to the growth and formation of coolant-destroying bacteria, undesirable residues on machine tools and workpieces, as well as smoke and oil mist in shop atmospheres.

Unwanted effects of tramp oil are:

- > shortened coolant life
- > poor material removal rates
- > poor surface finish and size control
- > decreased tool and wheel life

Numerous devices ('floating ropes', wheels, and belts) have been developed over the years to remove 'free floating' tramp oil from the surface of coolant. While they all have worked to one degree or another, they generally have been 'troublesome', high maintenance, relatively ineffective, or able to operate only on limited liquid level fluctuations.

Effective Tramp Oil Removal

To overcome the shortcomings of existing tramp oil skimming devices, Master Fluid Solutions has introduced the **SCROUNGER®** oil skimmer.

As a 'belt-type' skimmer, these units are effective in removing floating oil from widely fluctuating liquid levels of coolants or parts washing solutions.

The **SCROUNGER®** features a revolutionary new oleophilic belt and a totally new concept of stripping the separated oil from the belt.

The **SCROUNGER® Jr.** uses the same 'oil loving' belt, but uses a more compact scraper blade to strip the separated oil from the belt.

Advantages

- > Prolongs coolant life
- > Simple to install and operate regardless of liquid level
- > For use with water-miscible cutting and grinding fluids
- > Oleophilic belt skims off tramp oil with only minimal amount of coolant
- > Fast, simple belt changing, low maintenance
- > Small in size, easy to install

Effectively Remove Tramp Oil from Coolants and Washing Solutions

Features

- > Easily mountable
- > Oleophilic, 'oil loving' belt
- > Belt suitable for pH 1-12
- > Lower hang roller does not fall off in the machine sump, even in turbulent conditions

Options

- > 220- or 110-volt motor
- > Choice of belt lengths
- > Timer
- > Dewatering tray
- > SCROUNGER® Jr.: Choice of side-, surface-, or magnetic-mounting base

Specifications

SCROUNGER® belts:

Width: all belts 3" [76mm] wide

Belt hang distance:

2' hang, total length 70" [1780mm]

3' hang, total length 94" [2390mm]

4' hang, total length 118" [3000mm]

6' hang, total length 166" [4220mm]

SCROUNGER® JR. belts:

Width: all belts 1" [25mm] wide

Belt circumference:

24" [610mm]

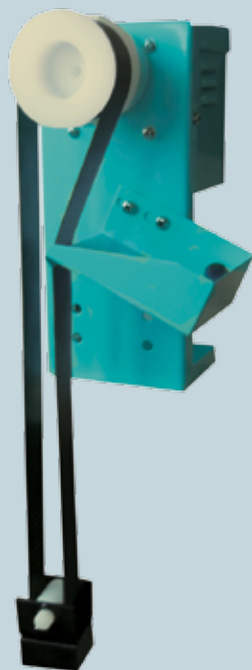
32" [815mm]

44" [1120mm]

Installation

These compact oil-belt skimmers can be used even in very tight quarters. Installation of the **SCROUNGER® JR.** series are simple and straightforward.

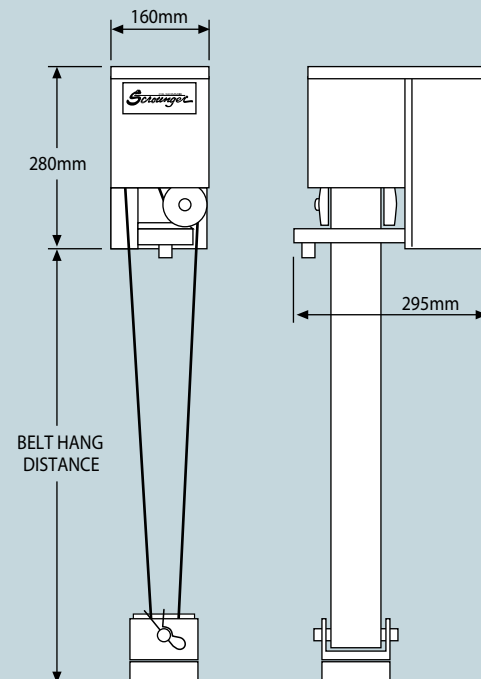
SCROUNGER® Jr.



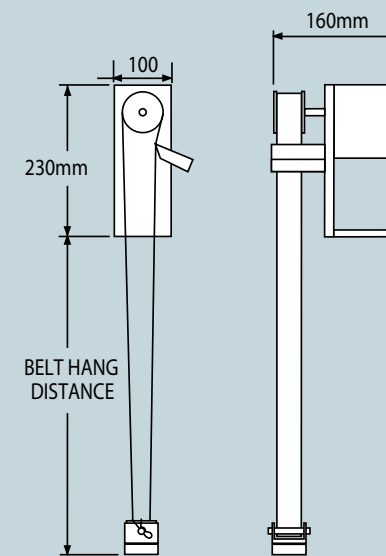
SCROUNGER®



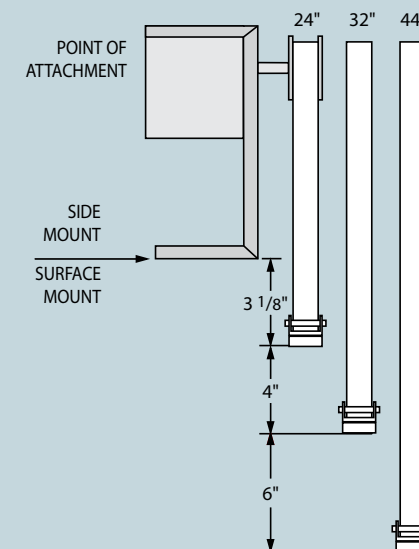
Dimensions for SCROUNGER®



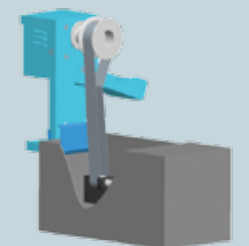
Dimensions for SCROUNGER® Jr.



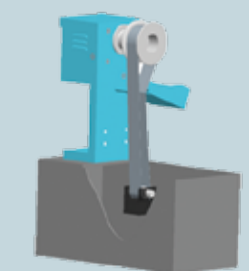
Attaching SCROUNGER® Jr.



Side-mounted SCROUNGER® Jr.



Surface-mounted SCROUNGER® Jr.





**Committed today
for a greener tomorrow**

Our corporation is committed to sustaining our natural resources, protecting our environment, and leaving a smaller footprint on the places we all call home.

As a manufacturer of fluids and fluid recycling equipment, we are committed to promoting conservation in manufacturing and helping customers maximize productivity while minimizing waste.

Just visit masterfluidsolutions.com and click on "Green Policy" to learn more about our commitment to environmental stewardship.



Performance-proven cutting and grinding fluids

Master Fluid Solutions has been recognized for more than 60 years for its TRIM® family of metalworking fluids for all types of cutting and grinding operations. Known worldwide for superior performance, TRIM meets the demands of specialized industries such as automotive, aerospace, and medical parts manufacturers.

For the full range of cutting and grinding applications for synthetics, semisynthetics, and soluble oils, TRIM solutions deliver longer tool and sump life, better finished parts, and a better bottom line.



Get more than just clean with Master STAGES™

As effective cleaning and metal protection is essential to attaining precision parts and exceptional surface finish, Master STAGES™ products include a full line of parts cleaners, corrosion inhibitors, and maintenance cleaners.

Designed for aerospace, medical, automotive, energy exploration, heavy equipment, and general manufacturing production, these products meet stringent requirements to keep customers environmentally compliant, running at peak performance, and more profitable.



Master Fluid Solutions™
—Cutting Edge Metalworking Solutions™—

www.xybex.com

Specifications may change without notice in the interest of product improvements. ©2013, 2017 Master Fluid Solutions Corporation. TRIM®, Scrounger®, and XYBEX® are registered trademarks of Master Chemical Corporation d/b/a Master Fluid Solutions; Master STAGES™ is a trademark of Master Chemical Corporation d/b/a Master Fluid Solutions. June 14, 2017